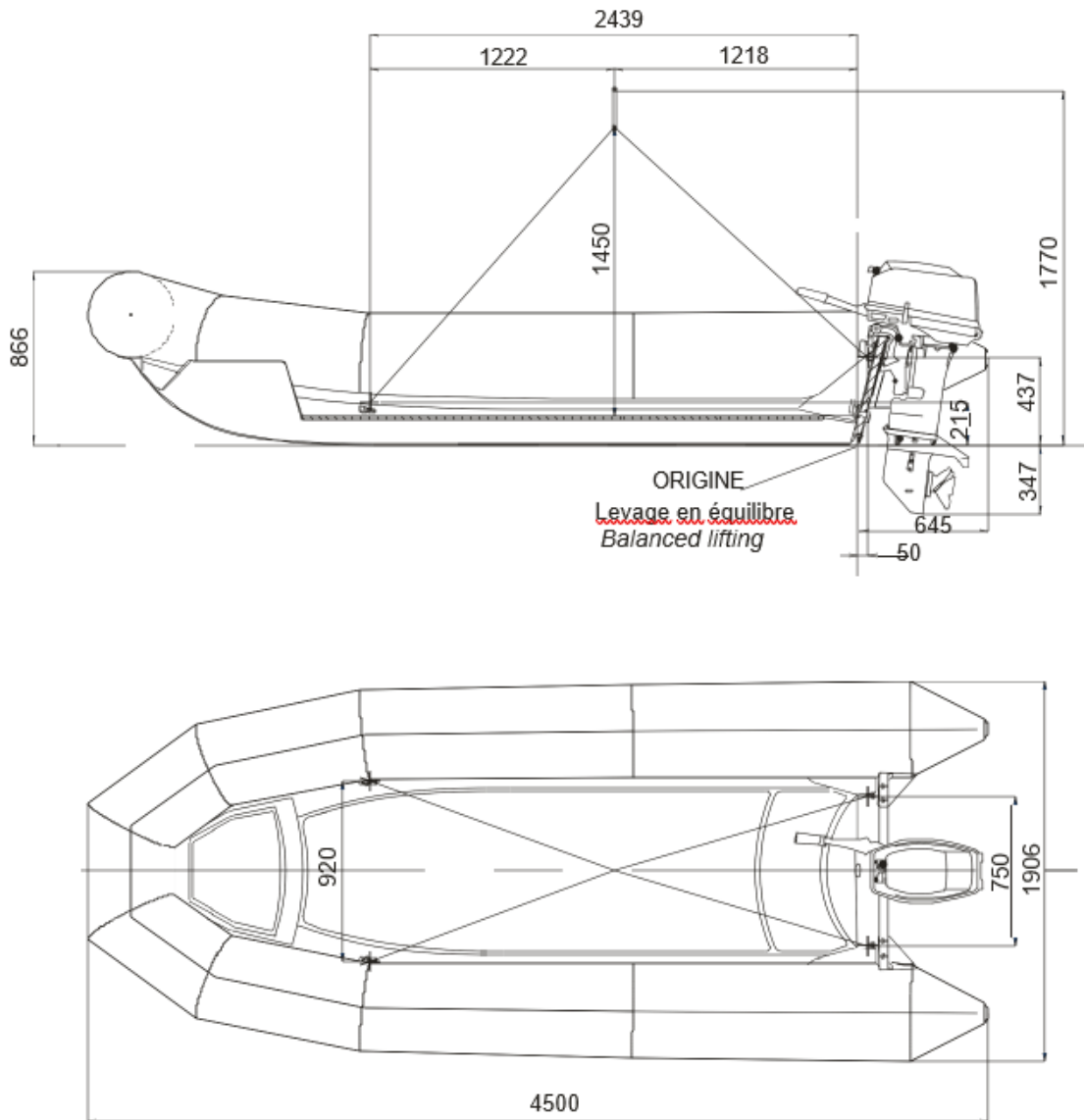


RESCUE BOAT RIBO 450 P SLING



Overall dimensions with lifting sling

Dimensions and weight +/- 5%

CAPACITY				
Number of persons: 6			Buoyancy volume: 1458 l	
DIMENSIONS				
Length		Width		Buoyancy diameter
Overall	Inside	Overall	Inside	From 0.430 m to 0.487 m
4.50 m	3.52 m	1.90 m	0.93 m	
SAFETY / INFLATION				
. 5 airtight compartments . 5 inflation valves . 5 overpressure valves (Leaffield)				
WEIGHT				
With equipment & batteries		With equipment, engine (40 HP) & fuel		Operational weight with passengers (40 HP)
EC : 246 kg		EC : 406 kg		EC : 901 kg
ENGINE, outboard				
Shaft length		Engine power		Fuel tank
long		Yamaha F25, 4-stroke, propeller guard 25 hp/19 kW		25 litres
TOWING				
. 2 bow towing rings on hull . 2 towing points on transom		. 1 bow towing V with on load release shackle . 1 aft towing V with snap hook		
HOISTING				
. 2 bow lifting points . 2 aft lifting points on transom . 1 lifting sling				
OPTIONS				
. Release hook: SWL \geq 950 kg & \leq 1.5 ton . Overall cover .				

Dimensions and weight +/- 5%

FABRIC	
. Neoprene orange fabric	. Buoyancy
. Reflective tapes	. Peripheral rubbing strake
HULL	
. GRP composite rigid orange hull	. Reflective tapes
. 1 hull drain	
TRANSOM	
. 1 self bailer	. Engine aluminium mounting plate + wooden plate
HANDLING	
. Inside lifeline (4.7m)	. Outside lifeline (12.1m)
SEATING	
. 2 fixed benches	. 1 tilting bench
EQUIPMENT FIXED TO THE RESCUE BOAT	
. Radar reflector	. Righting lines (2)
. Boat hook	. Positioning light
. Rescue quoits (2)	. Boarding ladder
. Towing line (50m)	
OTHER EQUIPMENT	
. Compass	. Whistle
. Sponge (2)	. Sea anchor
. First aid kit	. Floating knife
. Search light	. 12VDC battery in box
. Torch spare bulb & batteries	. Telescopic paddles
. Thermal protective aid (2)	
. Bailer	. Pump
. Repair kit	. Manual
. Fire extinguisher	. Equipment bag
	. Electrical torch

Approval:	EC (MED)
------------------	-----------------

Dimensions and weight +/- 5%



Krab 6, 4401 PA Yerseke, The Netherlands
+31 113 573580
www.dewolfmaritime.com