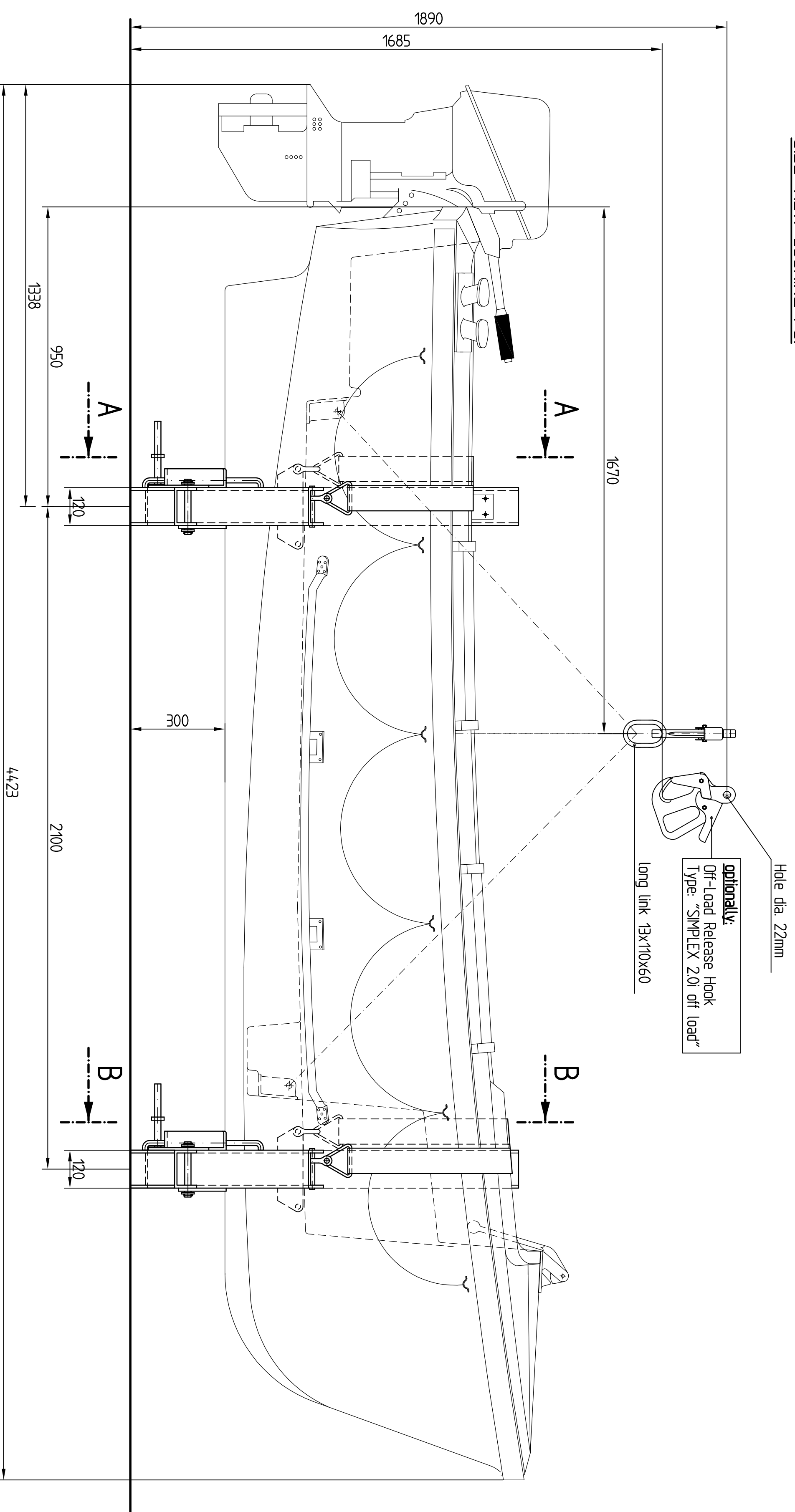
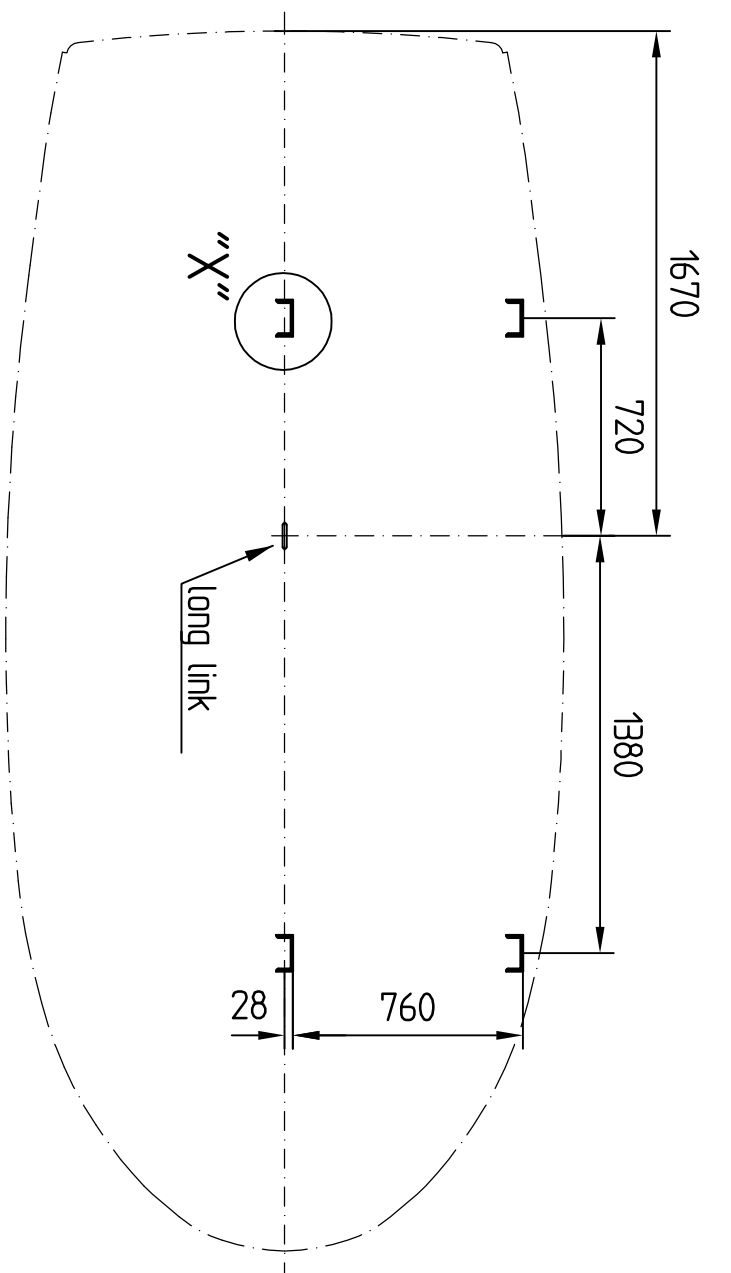
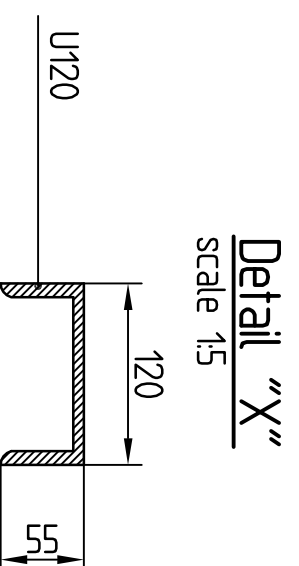
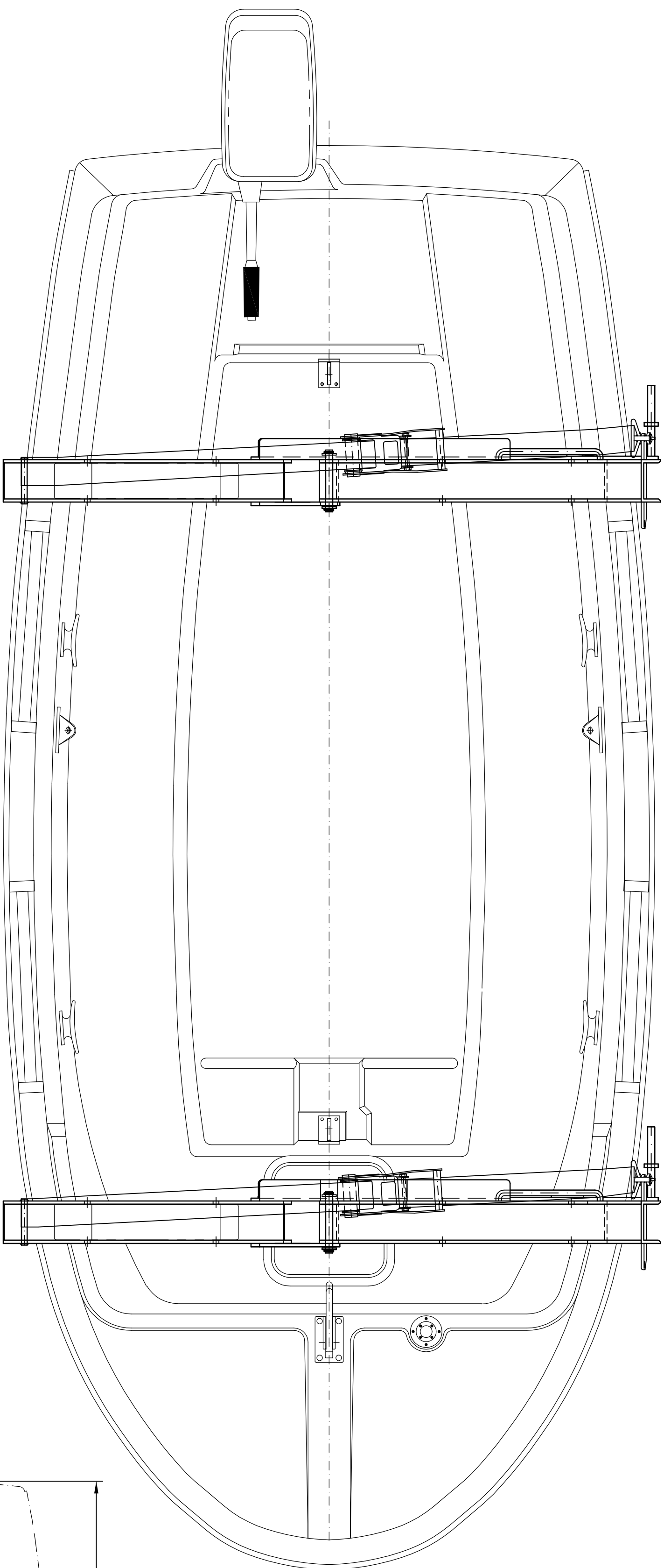


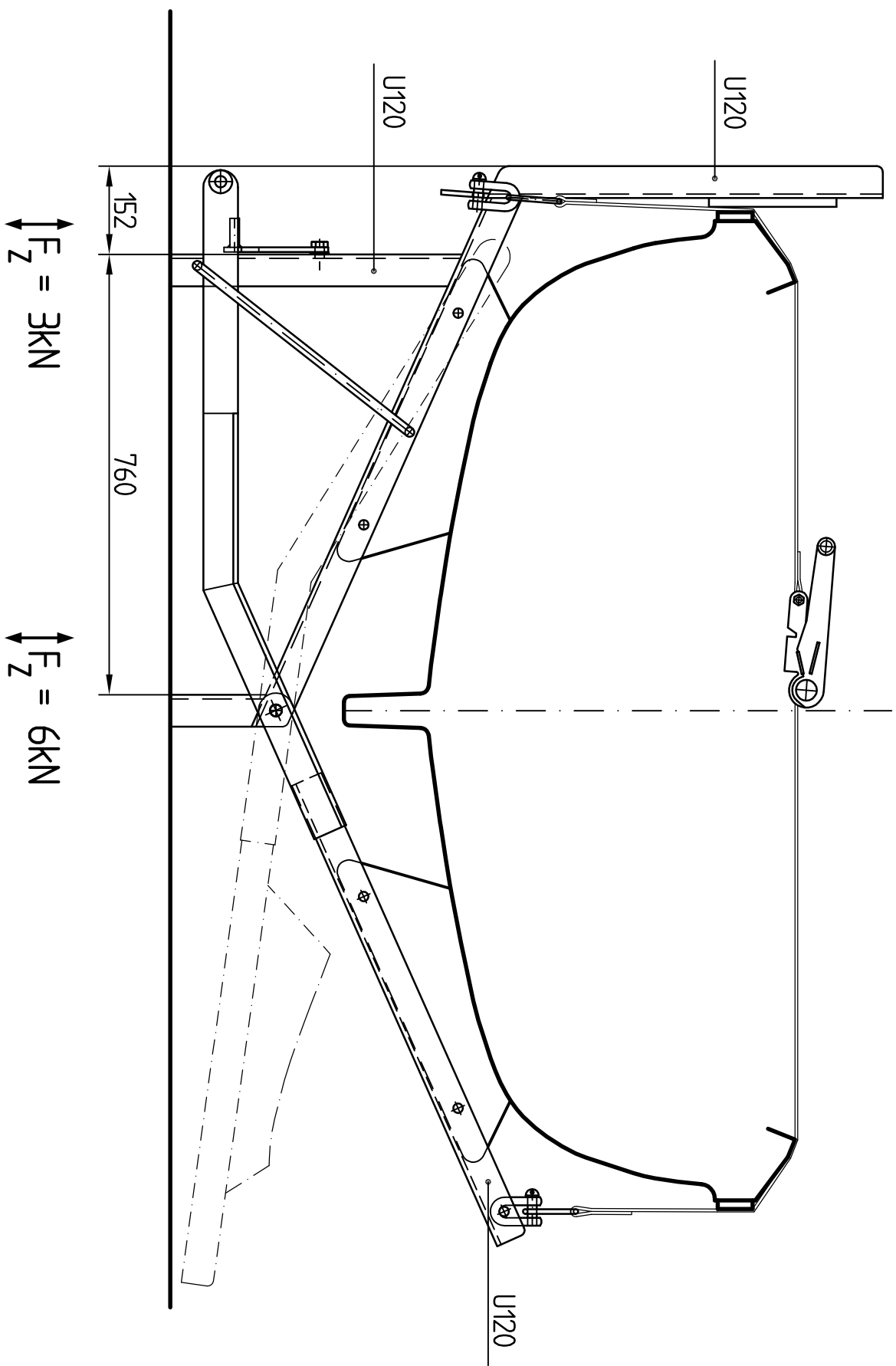
SIDE VIEW LOOKING PS.



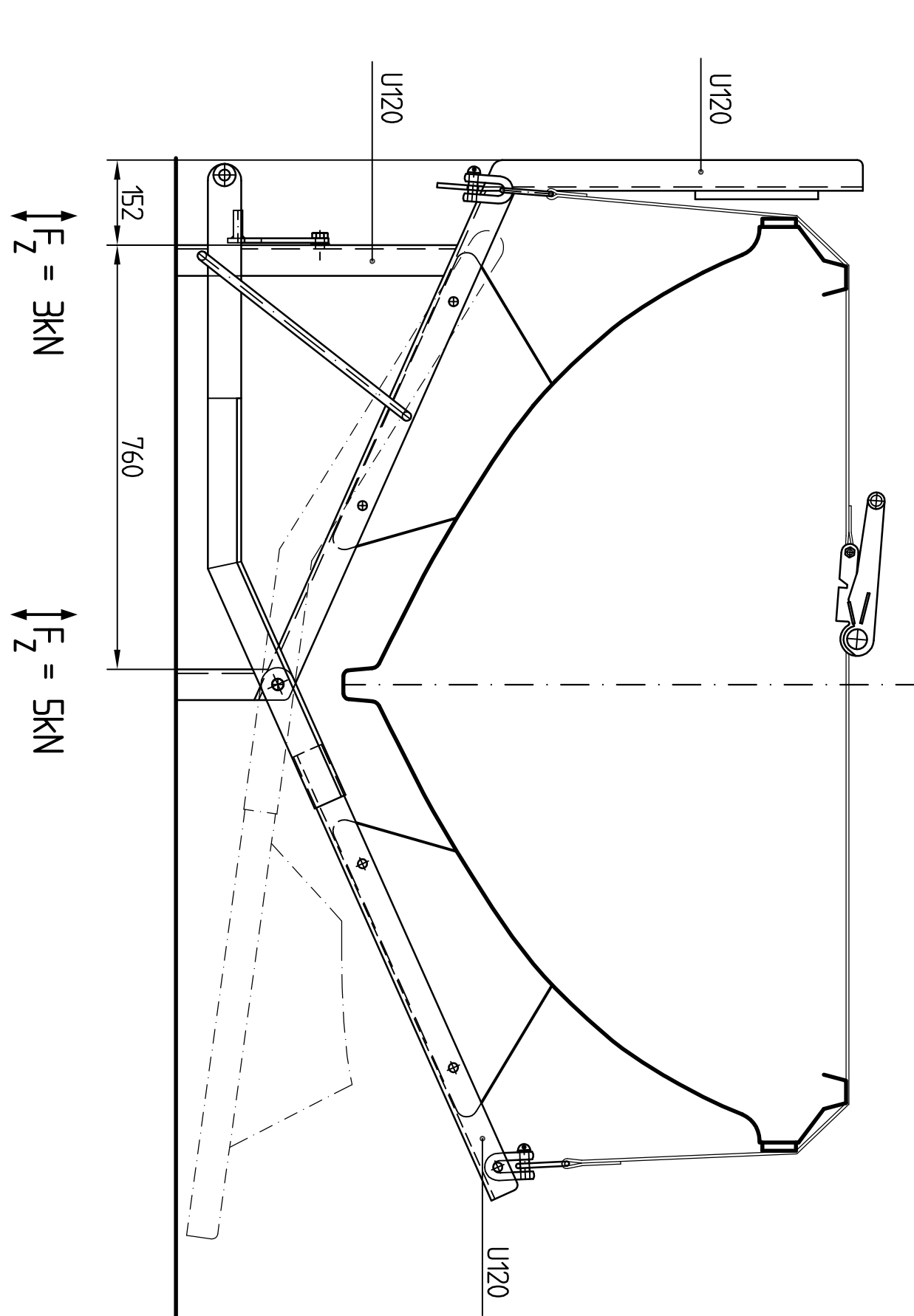
TOP VIEW



FOOTPRINTS  
scale 1:25



SECTION A-A



SECTION B-B

5	release hook changed	07/5/15	19.04.15	U. M.
4	side support and transv. beam changed	04.5/05	27.01.05	U. M.
3	ratchet altered	33/7/04	10.12.04	S. T.
2	lashing strap added	11/4/04	23.04.04	S. T.
1	height of hoistingring changed	30.9/03	02.10.03	U. M.
REV.	ALTERATION	ALT. NO.	DATE	EXECUTED BY

Approved by: \_\_\_\_\_ Date: \_\_\_\_\_  
 HATECKE GmbH  
 Am Ruhnström 1  
 27706 Drochtersen  
 Germany

Scale	1:10	Owner		Remarks	
Drawn	U.M.	Yard		Weight: 131 kg	
Date	05/05/97	Hall			
Examined		Project/Type	SR1-400	Drw.-No.	BPR40-01
Ex. title			STOWAGE REST - SB.		
NOTE:	This drawing and the information it contains are the property of HATECKE GmbH, Am Ruhnström 1, 27706 Drochtersen and may not be reproduced or used in part or in whole for any purpose except by written permission of the company.				