



YILMAZ DENİZCİLİK

NAKLİYAT VE GEMİ SAN. TİC. LTD. ŞTİ



QUICK ACTING HOOK (TYPE:YDGS 54)

A) GENERAL INFORMATION

B) TECHNICAL SPECIFICATION

C) OPERATION GUIDE

1) MOUNTING

2) SETTING HOOK

3) RELEASING

D) MAINTENANCE & INSPECTION

E) DRAWING

NOTE: HOOK SERVICE LIFE IS 6 YEARS



YILMAZ DENİZCİLİK

NAKLİYAT VE GEMİ SAN. TİC. LTD. ŞTİ



QUICK ACTING HOOK (TYPE:YDGS 54)

A) GENERAL INFORMATION

Quick Acting Hook YDGS 54 manufactured according to latest regulation and tested LSA code.

Quick acting hook **YDGS 54** is made of stainless steel 316 L.

Mounting, setting and usage of quick acting hook **YDGS 54** is so simple/easy and extremely safe. Mounting, setting and usage done by only one person and does not need any equipment while setting and using the hook.

Quick acting hook **YDGS 54** is used for rescue boat/liferaft and designed to release both on load and off load.

All components of the **YDGS 54** are selected for long life under arduous marine conditions.

Maintenance and inspection of the **YDGS 54** is simple, too and mentioned in

NOTE: HOOK SERVICE LIFE IS 6 YEARS



YILMAZ DENİZCİLİK

NAKLİYAT VE GEMİ SAN. TİC. LTD. ŞTİ



QUICK ACTING HOOK (TYPE:YDGS 54)

B) TECHNICAL SPECIFICATION

MODEL	: RESCUE BOAT / LIFERAFT QUICK ACTING HOOK ON LOAD / OFF LOAD RELEASE
TYPE	: YDGS 54
MAXIMUM WORKING LOAD	: 35 kN
STATIC PROOF LOAD	: 87,5 kN
DIMENSIONS	: 260x110x50 mm.
WEIGHT	: 6,2 kg
ACTUATING FORCE	: 0,17 kN

NOTE: HOOK SERVICE LIFE IS 6 YEARS



QUICK ACTING HOOK (TYPE:YDGS 54)

C) OPERATION GUIDE

1) MOUNTING

Mounting of the **YDGS 54** is so easy and carried out by just top shaft.

Loose nut **(8)**. Remove the top shaft**(6)** and distance bush.Place bush**(5)** into spliced eye of corresponding wire rope fall.Re-insert bush between side plates and re-insert the shaft**(6)**. Complete the mounting after te-tighten the nut**(8)**

The most important thing during the mounting of hook is, not to loose nut except mentioned nut**(8)**.System will be damaged if the side plates removed and accidents will occur due to system failure.

The other important thing during the mounting is steel wire rope.Take care of the steel wire rope is non-rotating wire, rustproof and not been lubricated if it is coated galvanize.

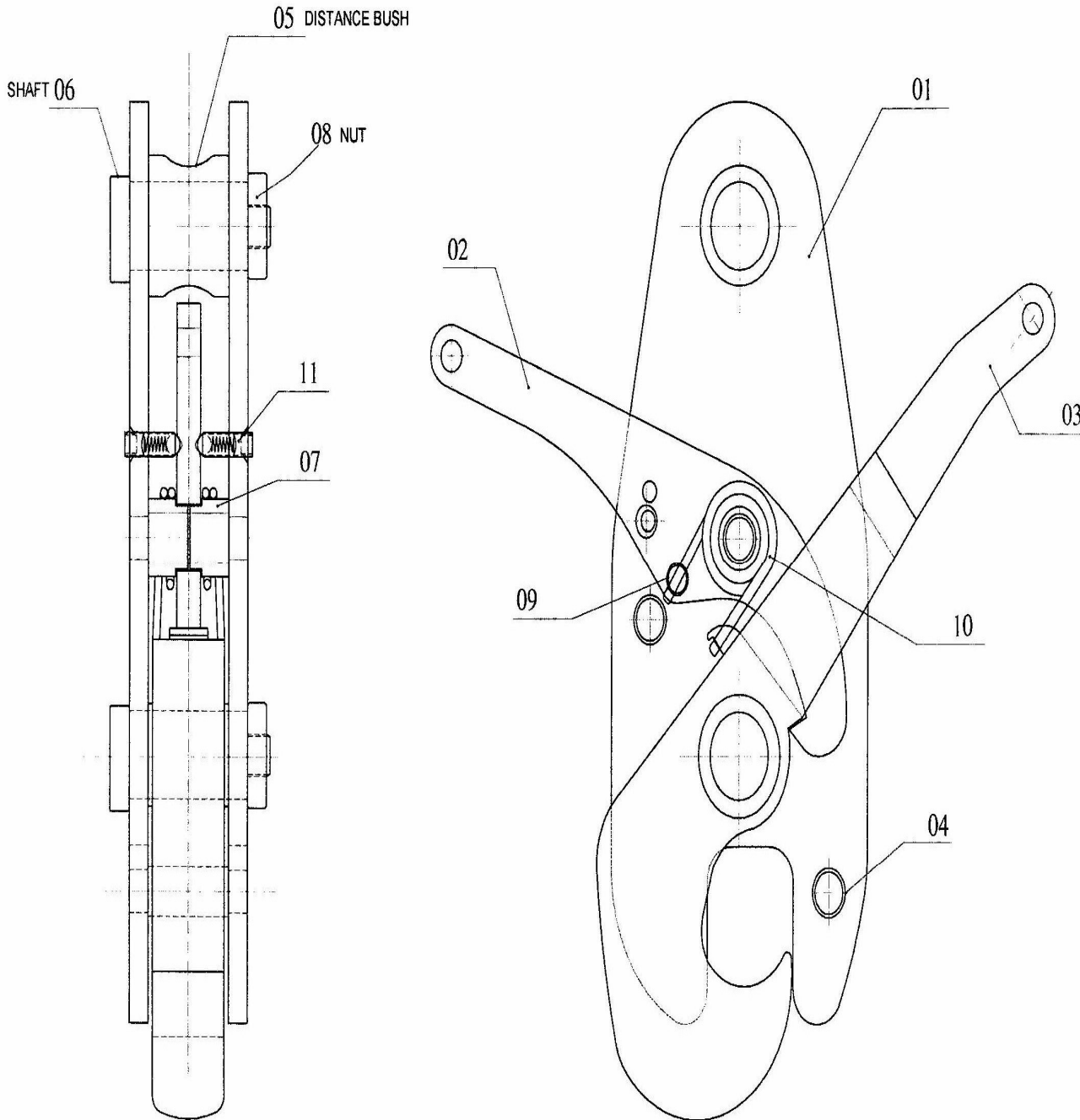
NOTE: HOOK SERVICE LIFE IS 6 YEARS



QUICK ACTING HOOK (TYPE:YDGS 54)

C) OPERATION GUIDE

1) MOUNTING





QUICK ACTING HOOK (TYPE:YDGS 54)

C) OPERATION GUIDE

2) SETTING HOOK

Shackle at the end of the rescue boat's/liferaft's sling (suspension link) positioned to the released hook. Hook should be pushed at the direction shown as below. Setting spring mechanism is achieved by pushing the hook enough. Well then, the hook is ready to operation.

The quick acting hook does not need any securing pin because by the setting the mechanism the system have been locked. It is not possible to pull down the manual release lever unless pulled down the automatic release lever. By pulling down the automatic release lever the hook does not release unless the force on hook under 30 kg.

While setting the hook, releasing levers moves to the up so to prevent injuries, NOTE: HOOK SERVICE LIFE IS 6 YEARS should be careful.

Also be careful when setting the quick acting hook mechanism, fingers/hand should not be between the main body and the hook, otherwise injuries may occur.

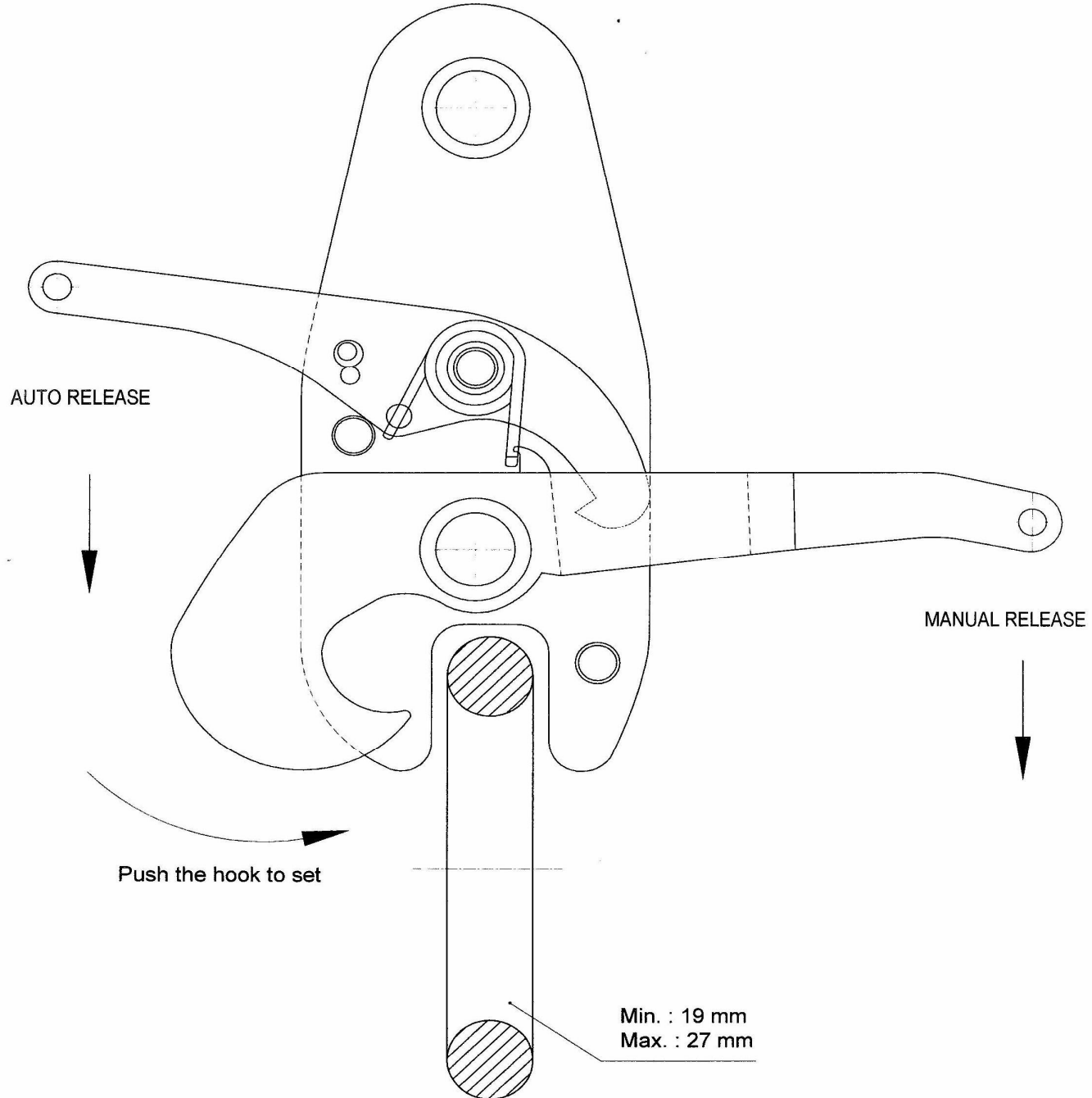
Before the connection of suspension link to the hook, ensure that thickness of the suspension link is between 19mm and 27mm.



QUICK ACTING HOOK (TYPE:YDGS 54)

C) OPERATION GUIDE

2) SETTING HOOK





QUICK ACTING HOOK (TYPE:YDGS 54)

C) OPERATION GUIDE

3) RELEASING

To release the quick acting hook **YDGS 54** automatically (Hook under the load of rescue boat/liferaft), it is enough to pull down automatic release lever. This operation can be done when the rescue boat/liferaft both hanged and waterborne. The hook will release itself automatically when the load decrease under 30 kg.

If the hook wouldn't release itself automatically by any reason, then the operation will be completed by pulling down the manual release lever.

Crew on the boat should be careful during the on load release operation!

On load release operation should not done to prevent damaging the rescue boat/liferaft and injuries unless it is compulsory. If on load release will carry out then ensure that the rescue boat is closest position to the sea.

NOTE: HOOK SERVICE LIFE IS 6 YEARS

Suspension link will fall down as a result of releasing the hook, so that during the operation crew should be careful to prevent accidents. Meanwhile, to prevent any accident due to falling down of the rescue boat/liferaft, everyone on the rescue boat/liferaft should sit down. Also, the operator should warn the crew before releasing the quick acting hook.



QUICK ACTING HOOK (TYPE:YDGS 54)

D) MAINTENANCE & INSPECTION

Weekly Inspection

- ~ Inspection of setting and releasing the quick acting hook
- ~ Cleaning any dirt on the hook especially moving parts

Monthly Inspection

- ~ Inspection of tightness of nuts on quick acting hook
- ~ Inspection of steel wire rope's and all connections

Annual Inspection

- ~ Annual inspection of quick acting hook by "Yılmaz Denizcilik" as manufacturer

Service should be desired from Yılmaz Denizcilik in any case of functional problems of quick acting hook **YDGS 54**. Ship owner is responsible for the service

of any other company except from Yılmaz Denizcilik.

NOTE: HOOK SERVICE LIFE IS 6 YEARS

It is recommended that not to remove any parts of the quick acting hook

YDGS 54 by unauthorized personnel except Yılmaz Denizcilik's own personnel.

Any mistake will cause injuries or death!



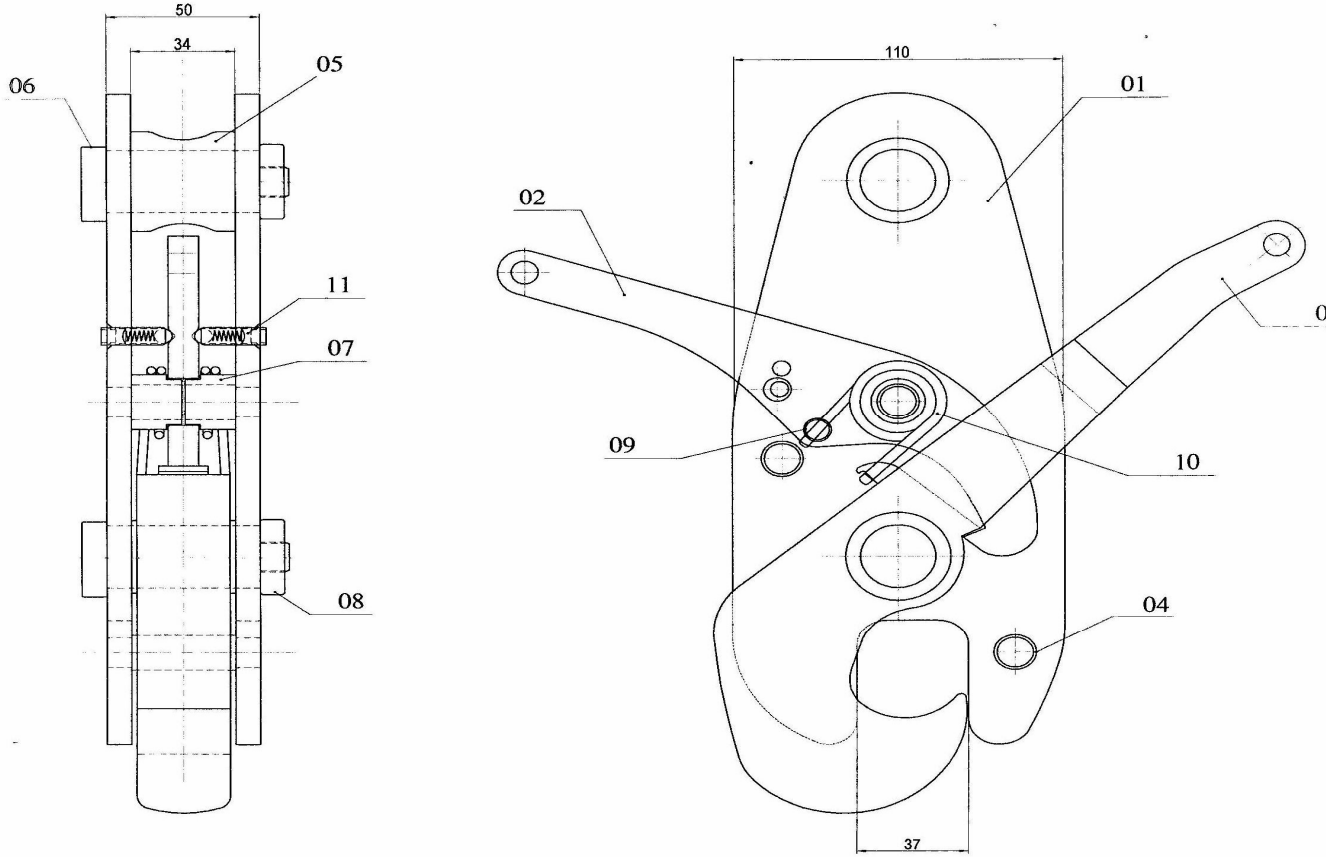
YILMAZ DENİZCİLİK


NAKLİYAT VE GEMİ SAN. TİC. LTD. ŞTİ



QUICK ACTING HOOK (TYPE:YDGS 54)

E) DRAWING



NO	NAME OF PIECE	CODE NO	DRAWING NO	WEIGHT	QTY	MATERIAL STANDART	CODE NO
11	SETTING SCREW	180011	280000811	KG	2	316 L	
10	TIE SPRING	180010	280000810	KG	1	316 L	
09	PIN	180009	280000809	KG	1	Rg 5	
08	NUT	180008	280000808	KG	2	316 L	
07	SHAFT AND SPRING	180007	280000807	KG	2	Rg 5	
06	SHAFT	180006	280000806	KG	2	316 L	
05	DISTANCE BUSH	180005	280000805	KG	1	Rg 5	
04	SHAFT	180004	280000804	KG	3	316 L	
03	ACTUATING LEVER - HOOK	180003	280000803	KG	1	316 L	
02	ACTUATING LEVER	180002	280000802	KG	1	316 L	
01	COVER	180001	280000801	KG	2	316 L	
NO	NAME OF PIECE	CODE NO	DRAWING NO	WEIGHT	QTY	MATERIAL STANDART	CODE NO
 YILMAZ DENİZCİLİK NAKLİYAT VE GEMİ SANAYİ TİC. LTD. ŞTİ. Postane mah. Rauf Orbay Cad. 2. Yasemin Sok. No:14 Tuzla/İST - TURKEY Tel : +90 (0216) 395 98 42 - 446 39 20 Fax: +90 (0216) 446 39 22		QUICK ACTING HOOK FOR RESCUE BOAT / LIFE RAFT		35kN			
DATE	30.03.2007	HOOK					
DRAWN BY	FATİH DOSDOĞRU						
CONTROLLED BY	MEHMET BAKIOĞLU						
APPROVED BY	RAMAZAN YILMAZ	REV NO	0	NO	REV NO	DATE	DRAWN APPR.
SCALE	1/2	DRAWING NO	180052	CODE NO	280000852		

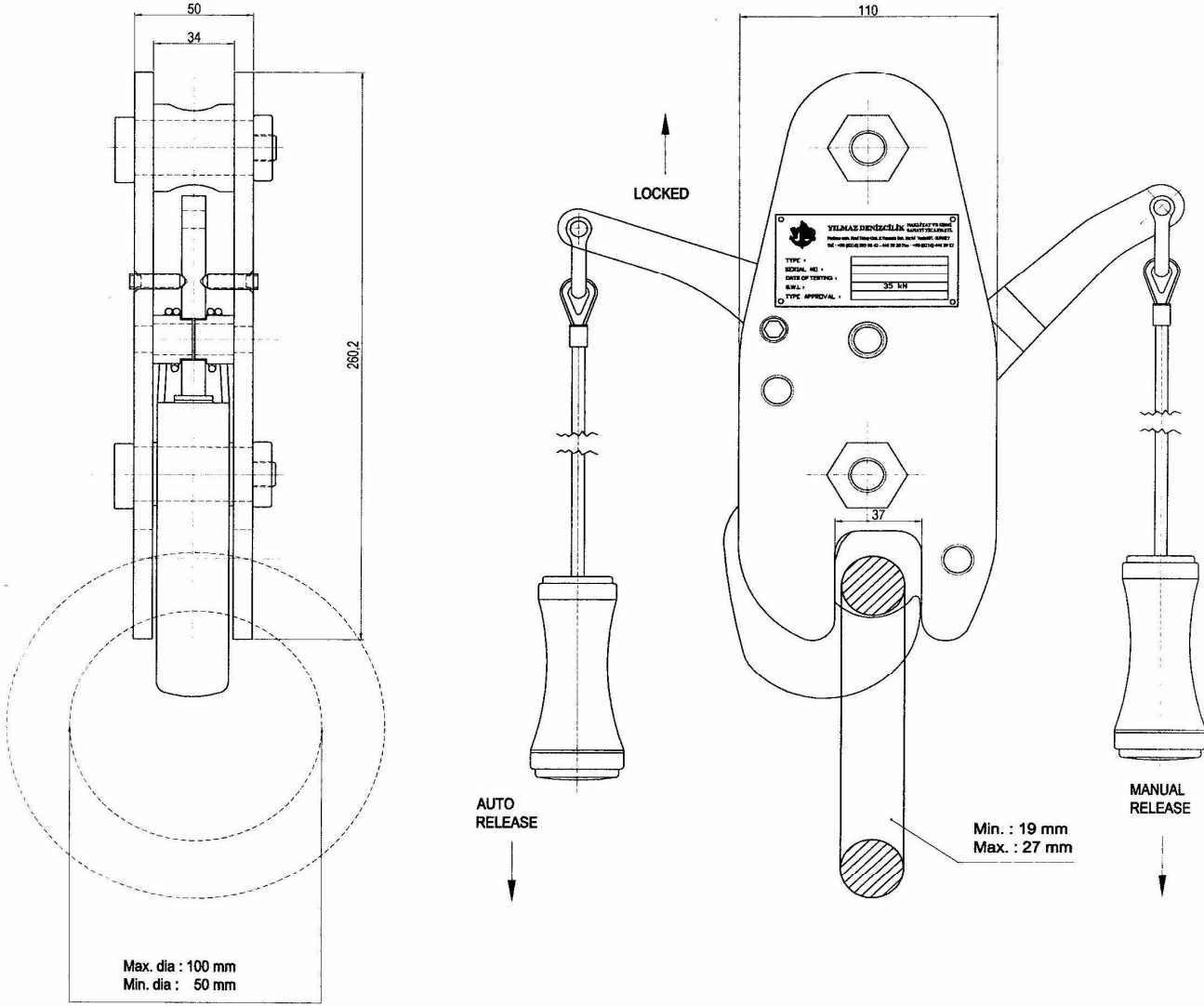


QUICK ACTING HOOK (TYPE:YDGS 54)

E) DRAWING

TYPE : YDGS 19

NOTE : (SWL) SAFETY WEIGHT OF LOAD IS 35 KN FOR HOOK



HOOK INSTALLATION DETAILS

DISASSEMBLY

- Loosen nut
- Remove shaft
- Remove distance bush

ASSEMBLY

- Place bush into spliced eye of corresponding wire rope fall
- Re- insert bush between side plates and re-insert the shaft
- Re-tighten nut