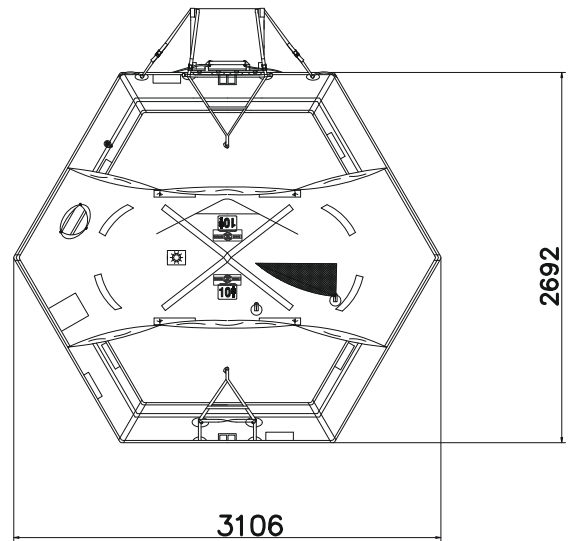
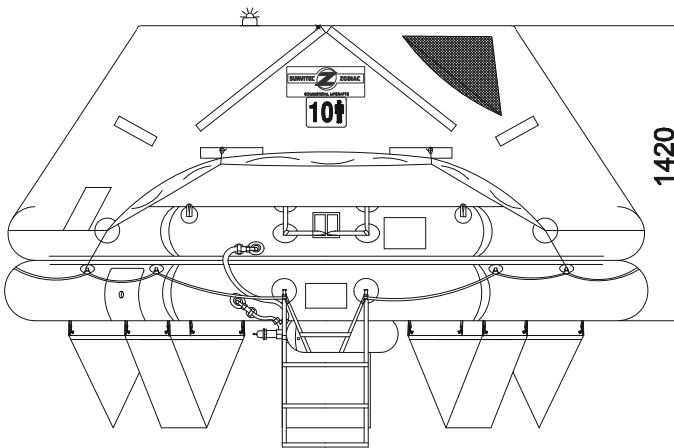
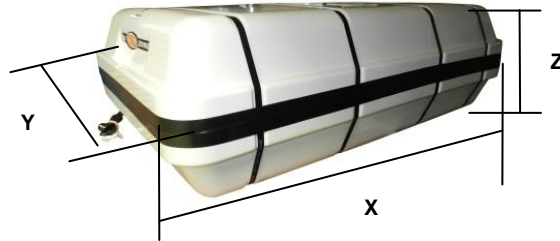


10 MAN THROW OVER BOARD LIFERAFT XTREM – LOW PROFILE CONTAINER SOLAS A & B PACK



10 MAN	A PACK			B PACK		
Container	N139H			N139		
Dimensions	X: 940 mm	Y: 640 mm	Z: 364 mm	X: 940 mm	Y: 640 mm	Z: 314 mm
	X: 3' 1,01"	Y: 2' 1,2"	Z: 1' 2,34"	X: 3' 1,01"	Y: 2' 1,2"	Z: 1' 0,37"
Liferaft Net Weight	87 kg / 192 pounds			63 kg / 139 pounds		
Max. height stowage	18 m / 60'			18 m / 60'		
Painter line length	30 m / 99'					
Inflation Cylinder	1 x 6,7 liter					

Crate	X: 960 mm	Y: 690 mm	Z: 350 mm	X: 960 mm	Y: 690 mm	Z: 350 mm
	X: 3' 1,8"	Y: 2' 3,17"	Z: 1' 1,78"	X: 3' 1,8"	Y: 2' 3,17"	Z: 1' 1,78"
	91 kg / 201 pounds			67 kg / 148 pounds		
	0,232 m3 / 8,19 cubic foot			0,232 m3 / 8,19 cubic foot		

Towing force	2 knots	3 knots
Without sea anchor	45 daN	75 daN
With sea anchor	90 daN	160 daN

Approvals: EC (MED) – USCG – TC – BV – CCS

10 TO XTREM 21102015 KLT.doc Issue : 9 Date : 21/10/2015

Dimensions and weight +/- 5%
SURVITEC SAS reserves the right to change specification without notice.
For installation, add minimum +10mm for clearance to dimensions of the container.