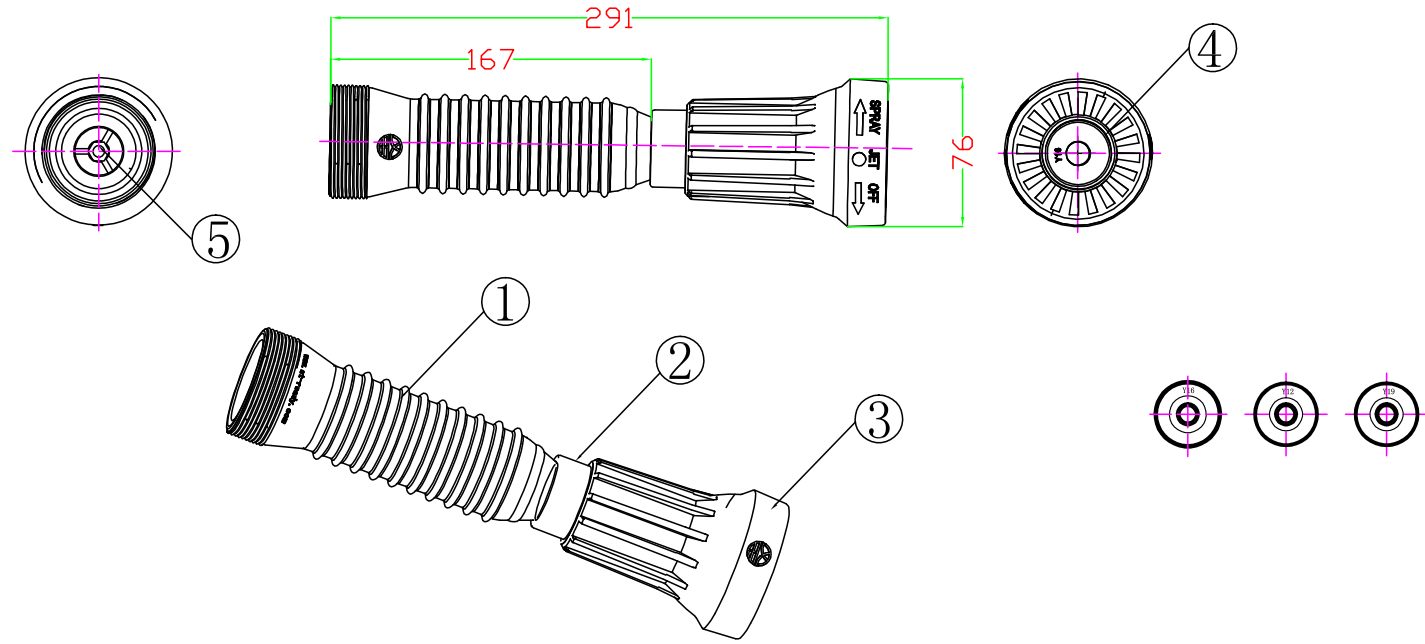


COMPONENTS LIST			
Item NO.	Description	Material	Qty
1	Holder	Plastic	1
2	Body	Brass	1
3	Head	Plastic	1
4	Plate	Plastic	1
5	Stick	S.Steel	1



Mark	Item	Place	Signature	Date	Change	Mark	Item	Place	Signature	Date	Change

General	APPROVED	DATE	16.03.17	WEIGHT	SCALE	Dual Purpose Nozzle Y12, Y16, Y19
	Patrick Cui	DRAWN	XuXueYan		1:1	
Temporary	DESIGNED	John Wang		Page: 1	YB-SQ001	REV.
	CHECKED			Total page: 1		



SHANGHAI YIBEI SAFETY EQUIPMENT CO., LTD.
www.at-ready.com